

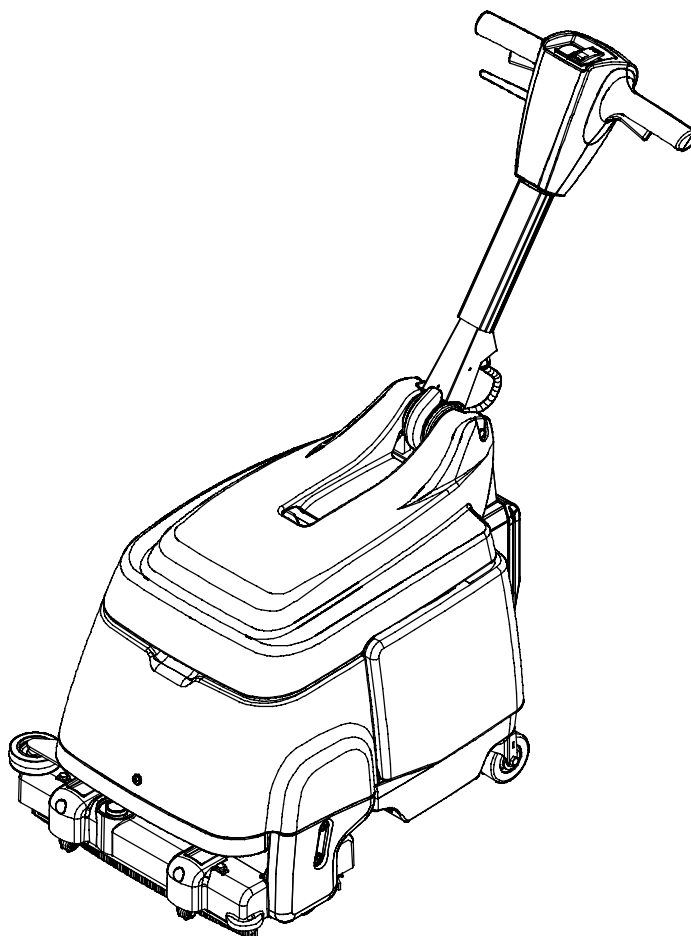
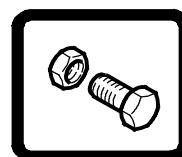


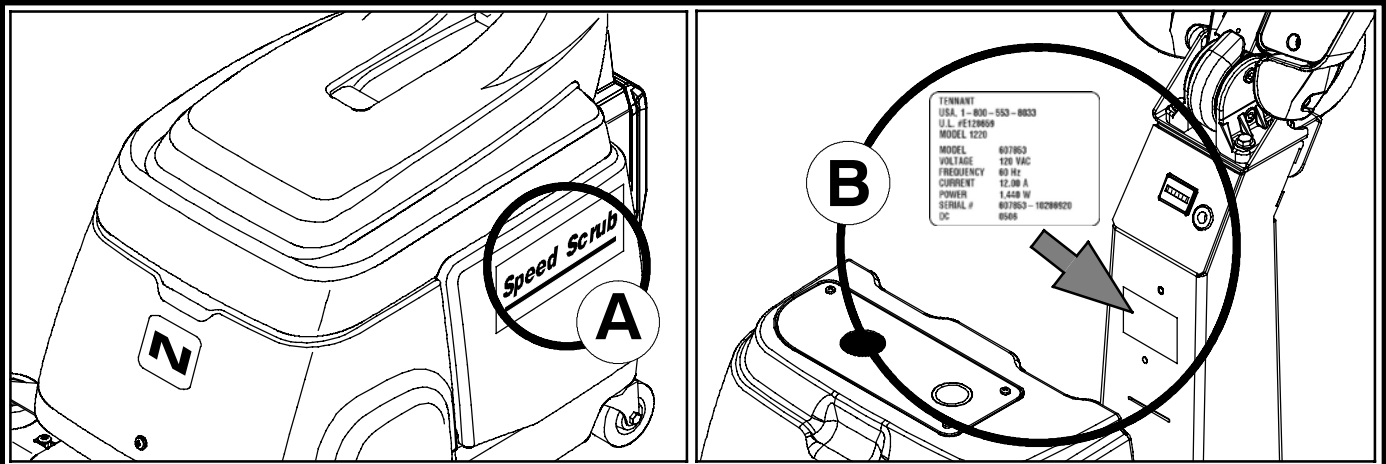
Models  
9008637 - Speed Scrub 15 in, AGM Battery  
9008640 - Speed Scrub 15 in, Lithium-ion Battery

# SPEED SCRUB®

15 in BATTERY FLOOR SCRUBBER  
(S/N 10000000-20000000)

## PARTS MANUAL





Ref	Part No.	Serial Number	Description	Qty.
1	82681	(000000- )	Bracket W/dt, Lpg Mount	1
▽ 2	63810	(000000- )	Latch Assy, Lpg Tank Mtg, W/Nut	4
▲ 3	51839	(000000- )	Nut Adjustable, Lpg Tank Mtg	2
4	49263	(000000- )	Tie, Cable	3
(D)	82556	(000000-001039)	Bracket, Vaporizer	1
	54930	(000000- )	Vaporizer, LPG	1

**HOW TO ORDER PARTS - See diagram above**

Only use TENNANT Company supplied or equivalent parts. Parts and supplies may be ordered online, by phone, by fax or by mail.

Follow the steps below to ensure prompt delivery.

1. (A) Identify the machine model.
2. (B) Identify the machine serial number from the data label.
3. (C) Ensure the proper serial number is used from the parts list.
4. Identify the part number and quantity.  
Do not order by page or reference numbers.
5. Provide your name, company name, customer ID number, billing and shipping address, phone number and purchase order number.
6. Provide detail shipping instructions.

- (D) ▽ - identifies an assembly  
 ▲ - identifies parts included in assembly

**Please fill out at time of installation for future reference.**

Model No. - \_\_\_\_\_

Serial No. - \_\_\_\_\_

Machine Options - \_\_\_\_\_

Sales Rep. - \_\_\_\_\_

Sales Rep. phone no. - \_\_\_\_\_

Customer ID Number - \_\_\_\_\_

Installation Date - \_\_\_\_\_

**Tennant Company**

PO Box 1452  
 Minneapolis, MN 55440  
 Phone: (800) 553-8033 or (763) 513-2850

www.nobles.com

Specifications and parts are subject to change without notice.

Copyright © 2011 TENNANT Company, Printed in U.S.A.

TABLE OF CONTENTS

**RECOMMENDED MAINTENANCE ITEMS**

RECOMMENDED MAINTENANCE ITEMS ..... 4

**STANDARD PARTS**

HANDLE GROUP ..... 6

HANDLE MOUNT GROUP ..... 8

FRAME GROUP ..... 10

RECOVERY AND SOLUTION TANKS  
GROUP ..... 12

TANK COVER GROUP ..... 14

VACUUM FAN GROUP ..... 16

SCRUB HEAD GROUP ..... 18

SCRUB HEAD LIFT GROUP ..... 20

SOLUTION GROUP ..... 22

SQUEEGEE GROUP, FRONT AND REAR ..... 24

BATTERY AND CHARGER GROUP (Li-ION) ... 26

BATTERY AND CHARGER GROUP (AGM) .... 27

ELECTRICAL DIAGRAM ..... 28

WIRE HARNESS, MAIN ..... 30

WIRE HARNESS, JUMPER (Li-ION) ..... 32

WIRE HARNESS, JUMPER (AGM) ..... 33

**OPTIONS**

BATTERY CONVERSION KIT  
(AGM TO Li-ION) ..... 34

BATTERY CONVERSION KIT  
(Li-ION TO AGM) ..... 35

## RECOMMENDED MAINTENANCE ITEMS

---

### RECOMMENDED MAINTENANCE ITEMS

Ref.	Part No.	Serial Number	Description	Qty.
	1014918	(00000000-	) Wheel, 03.0d 0.88w 0.31b, W/ Bshg, Rbr	3
	601443	(00000000-	) Caster, Swivel, 3.0d 1.3w, .50-13 Stem	2
	9004283	(00000000-	) Belt Kit, W/ Installation Tool	1
	1037197	(00000000-	) Brush, Scrub, 89mm Od X 386mm, Nylon (Standard)	1
	1037277	(00000000-	) Brush, Scrub, 89mm Od X 386mm, Poly (Optional)	1
	1037278	(00000000-	) Brush, Scrub, 89mm Od X 386mm, Grit (Optional)	1
	9008581	(00000000-	) Wheel Kit, Sqge, W/ Hdwr	1
	1064751	(00000000-	) Blade Assy, Sqge, Ure, Cast, 4.2thk	2
	1049397	(00000000-	) Blade Assy, Sqge, Ure, Millable	2
	1052876	(00000000-	) Gasket, Tank	2

## RECOMMENDED MAINTENANCE ITEMS

---



## HANDLE GROUP

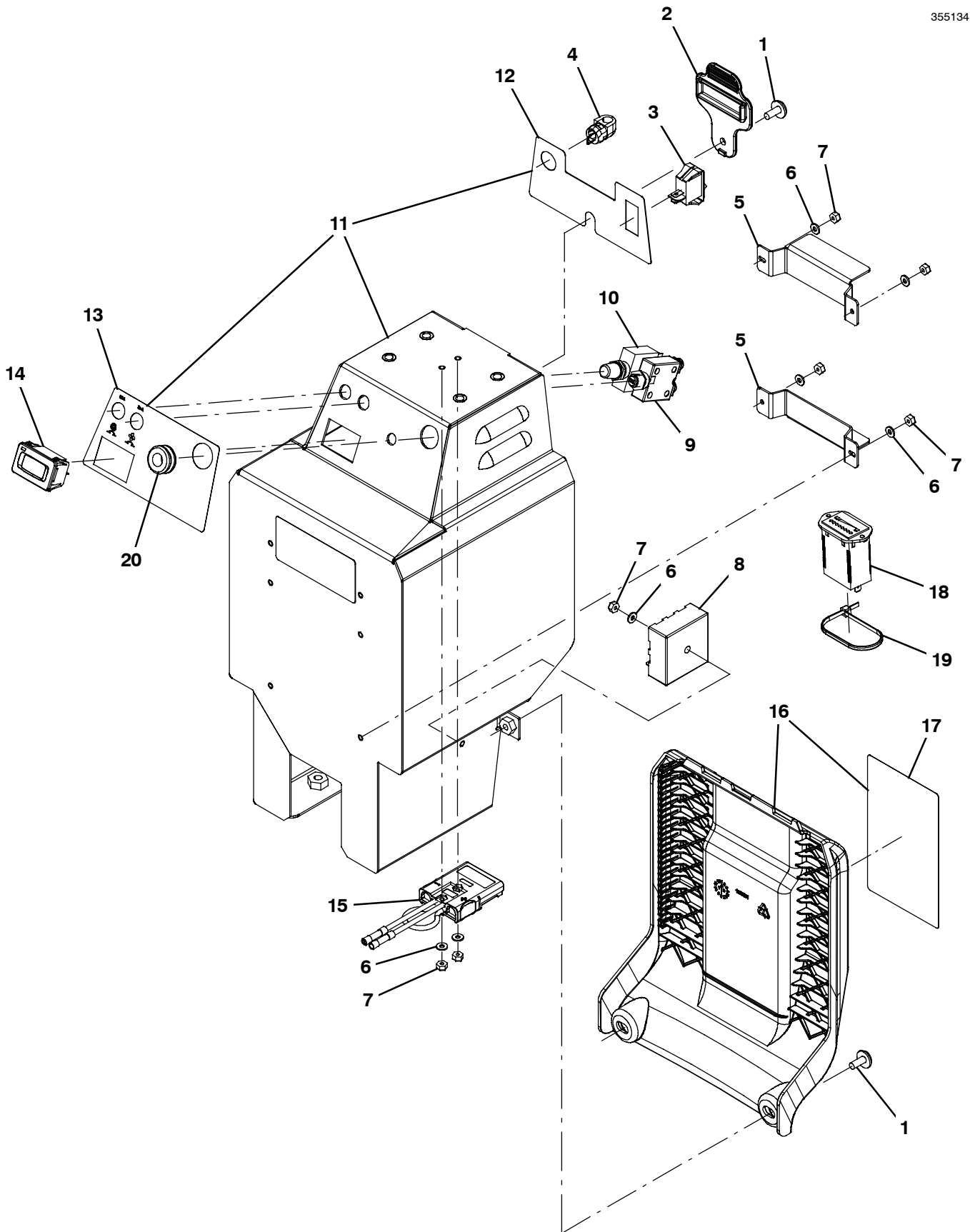
Ref.	Part No.	Serial Number	Description	Qty.
▽	1	9008682	(00000000- ) Handle Kit, Assy [Nob, Li+] (Li-Ion Model)	1
▽	1	9008683	(00000000- ) Handle Kit, Assy [Nob, Agm] (AGM Model)	1
▲	2	1048378	(00000000- ) Gauge, Voltmeter, 12vdc, Nominal (Li-Ion Model)	1
▲	2	1065438	(00000000- ) Gauge, Voltmeter, 12vdc Nominal [Agm] (AGM Model)	1
▲	3	1053503	(00000000- ) Switch, Rocker [Lighted] 12v Dpdt	1
▲▽	4	9008684	(00000000- ) Cover Kit, Front/Rear [Nob]	1
▲▲	5	1049028	(00000000- ) Label, Opertnl, Instrmt Panl	1
▲	6	1033893	(00000000- ) Lever, Cntrl, Switch	2
▲	7	1063165	(00000000- ) Switch, Push, Spst, No	1
▲	8	578430	(00000000- ) Washer, Flat, 0.50d, Pl [Spring-Disc]	2
▲	9	1043573	(00000000- ) Screw, #10-14 X 0.675, Spl[Shcs,Selftap]	7
▲	10	130175	(00000000- ) Plug, Hole, Rnd, 0.75d, Blk	1
▲	11	1043572	(00000000- ) Screw, #10-14 X 0.15, Spl[Shcs Selftap]	2
▲	12	1034945	(00000000- ) Lever, Adjmt, Handle	1
▲	13	222290	(00000000- ) Diode, Ele, Plug	1
▲	14	1034180	(00000000- ) Rod, Release	1
▲	15	1013295	(00000000- ) Spring, Cmpr [2100 Series]	1
▲	16	9006059	(00000000- ) Plunger Kit, Handle	1
	17	1016399	(00000000- ) Screw, Hex, M8 X 1.25 X 30, NI, Ss	4
	18	140027	(00000000- ) Washer, Flat, 0.35b 0.75d .04, Ss	4
▲	19	49609	(00000000- ) Screw, Soc, M8 X 1.25 X 16, 12.9	4
▲	20	1048219	(00000000- ) Bracket, Pivot, Cover, Mtg	1
▲	21	1000307	(00000000- ) Handle, Pivot, Half	2
▲	22	1053722	(00000000- ) Cordgrip, Str, Pg-11	1
▲	23	612422	(00000000- ) Seal, Org, Gear Seat	2
▲	24	1034872	(00000000- ) Gear, Lock, Handle	1
▲	25	1035681	(00000000- ) Screw, Pan, M5 X 0.80 X 12	1
▲	26	1036599	(00000000- ) Cover, Handle, Nobles	1
▲	27	1034176	(00000000- ) Bushing, Flng, 05mmb 12mmd 08mml [Pa6]	1
▲	28	1039088	(00000000- ) Label, Logo, 02.8l 3color [Nobles]	1

▽ ASSEMBLY

▲ INCLUDED IN ASSEMBLY

HANDLE MOUNT GROUP

355134





## HANDLE MOUNT GROUP

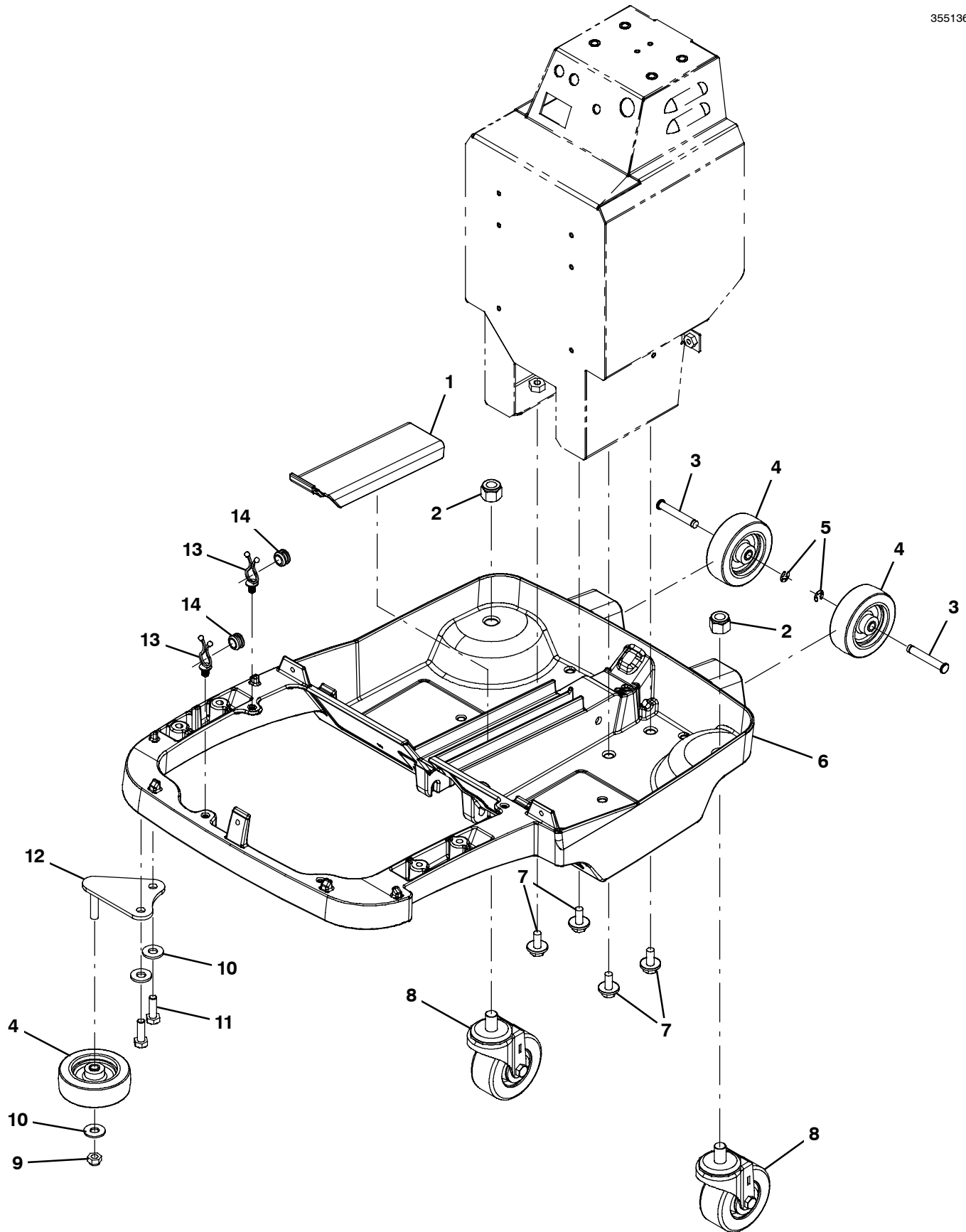
Ref.	Part No.	Serial Number	Description	Qty.	
1	1019349	(00000000-	) Screw, Trs, M6 X 1.00 X 16, Ss, Sems	3	
2	1048989	(00000000-	) Cover, Chrgr Plug	1	
3	578005000	(00000000-	) Switch, Rocker, Spst	1	
4	1049283	(00000000-	) Strain Relief, Cord, Right Angle	1	
5	1059709	(00000000-	) Channel, Stand-Off	2	
6	41578	(00000000-	) Washer, Flat, 06, Ss	7	
7	75939	(00000000-	) Nut, Hex, Lock, #06-32, NI	7	
8	1053209	(00000000-	) Module, Timer, 12v, 5s Interval (Li-Ion Model)	1	
9	1067771	(00000000-	) Circuitbreaker, 35.0a	1	
10	383725	(00000000-	) Circuitbreaker, 30.0a, Resetable	1	
▽	11	9008687	(00000000-	) Column Kit, Suppt, W/ Label	1
▲	12	1053739	(00000000-	) Label, Opertnl, Instmt Panl, Lwr	1
▲	13	1065072	(00000000-	) Label, Circuitbreaker [Conventional]	1
	14	86726	(00000000-	) Grommet, Rbr, 0.44id, F/0.5h, .19 Matl	1
	15	1066279	(00000000-	) Plug Kit, Chrgr, T1b [Psbs 75x]	1
▽	16	9008685	(00000000-	) Cover Kit, Battery, W/Labels [Na]	1
▲	17	1049889	(00000000-	) Label, Warning, Dc Scrubber	1
	18	1064516	(00000000-	) Indicator, Battery, 12vdc, 1.73volt/Cell (AGM Model)	1
	19	130773	(00000000-	) Tie, Cable, Nyl, 11.0l, .14w, 3.0 Max. D (AGM Model)	1
	20	86726	(00000000-	) Grommet, Rbr, 0.44id, F/0.5h, .19 Matl	1

▽ ASSEMBLY

▲ INCLUDED IN ASSEMBLY

FRAME GROUP

355136

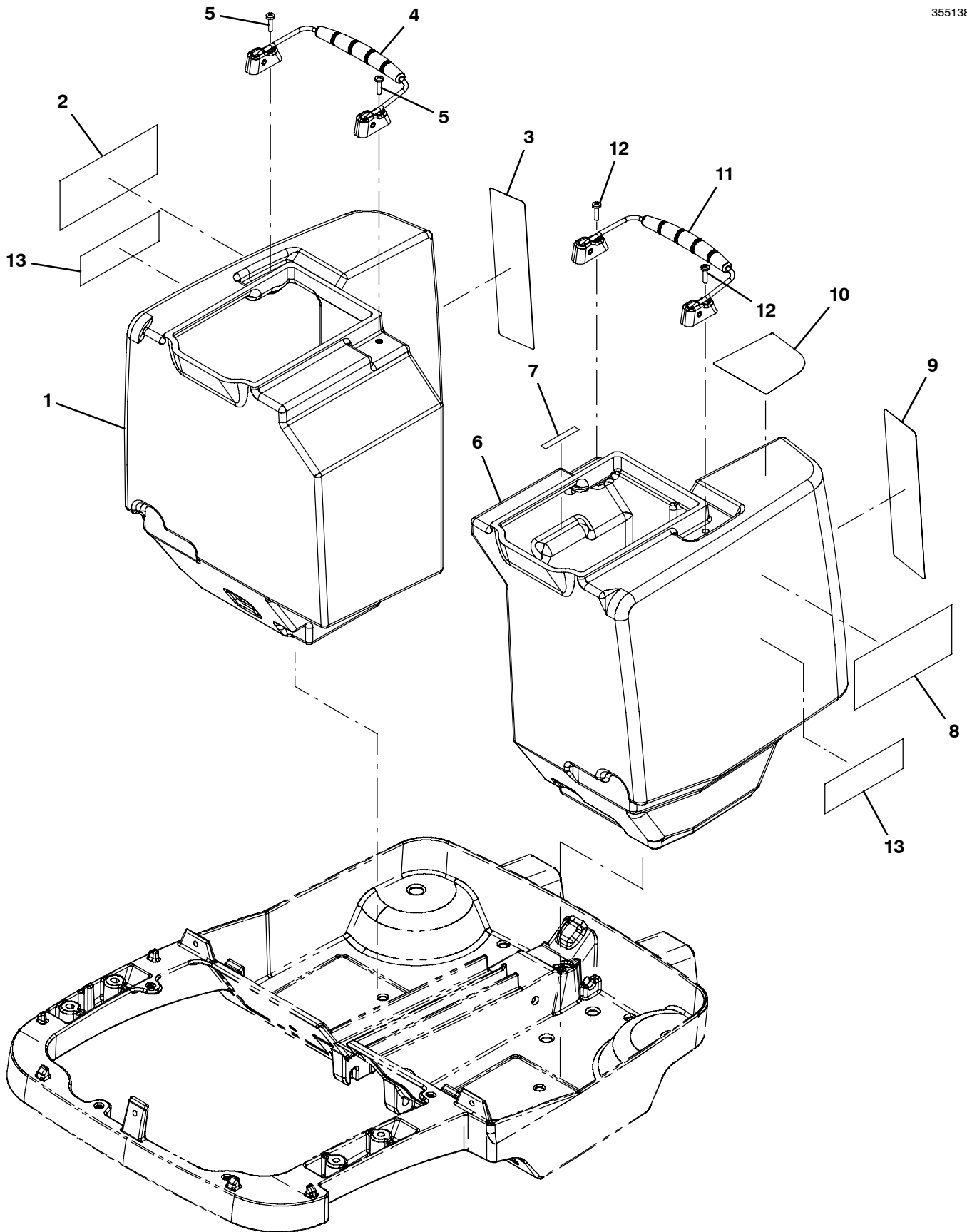


## FRAME GROUP

Ref.	Part No.	Serial Number	Description	Qty.
1	1053149	(00000000-	) Cover, Frame, Rear	1
2	02931	(00000000-	) Nut, Hex, Lock, .50-13, NI, Ss	2
3	1035137	(00000000-	) Pin, Clevis, Grvd 0.31d X 2.00l, Ss	2
4	1014918	(00000000-	) Wheel, 03.0d 0.88w 0.31b, W/ Bshg, Rbr	3
5	1035139	(00000000-	) Ring, Retaining, Ext, 0.31d, E-Type	2
6	1034013	(00000000-	) Frame (Machined)	1
7	1020341	(00000000-	) Screw, Hex, M8 X 1.25 X 20, Ss, Sems	4
8	601443	(00000000-	) Caster, Swivel, 3.0d 1.3w, .50-13 Stem	2
9	08713	(00000000-	) Nut, Hex, Lock, M8 X 1.25, NI, Ss	1
10	01685	(00000000-	) Washer, Flat, 0.38b 0.88d .08, Ss	3
11	49826	(00000000-	) Screw, Hex, M8 X 1.25 X 16, NI, Ss	2
12	1034805	(00000000-	) Bracket, Bumper Wheel	1
13	30406	(00000000-	) Clip, Keeper	2
14	10632-12	(00000000-	) Grommet, Rbr, 0.38id, F/0.5h, .12 Matl	2

RECOVERY AND SOLUTION TANKS GROUP

355138



## RECOVERY AND SOLUTION TANKS GROUP

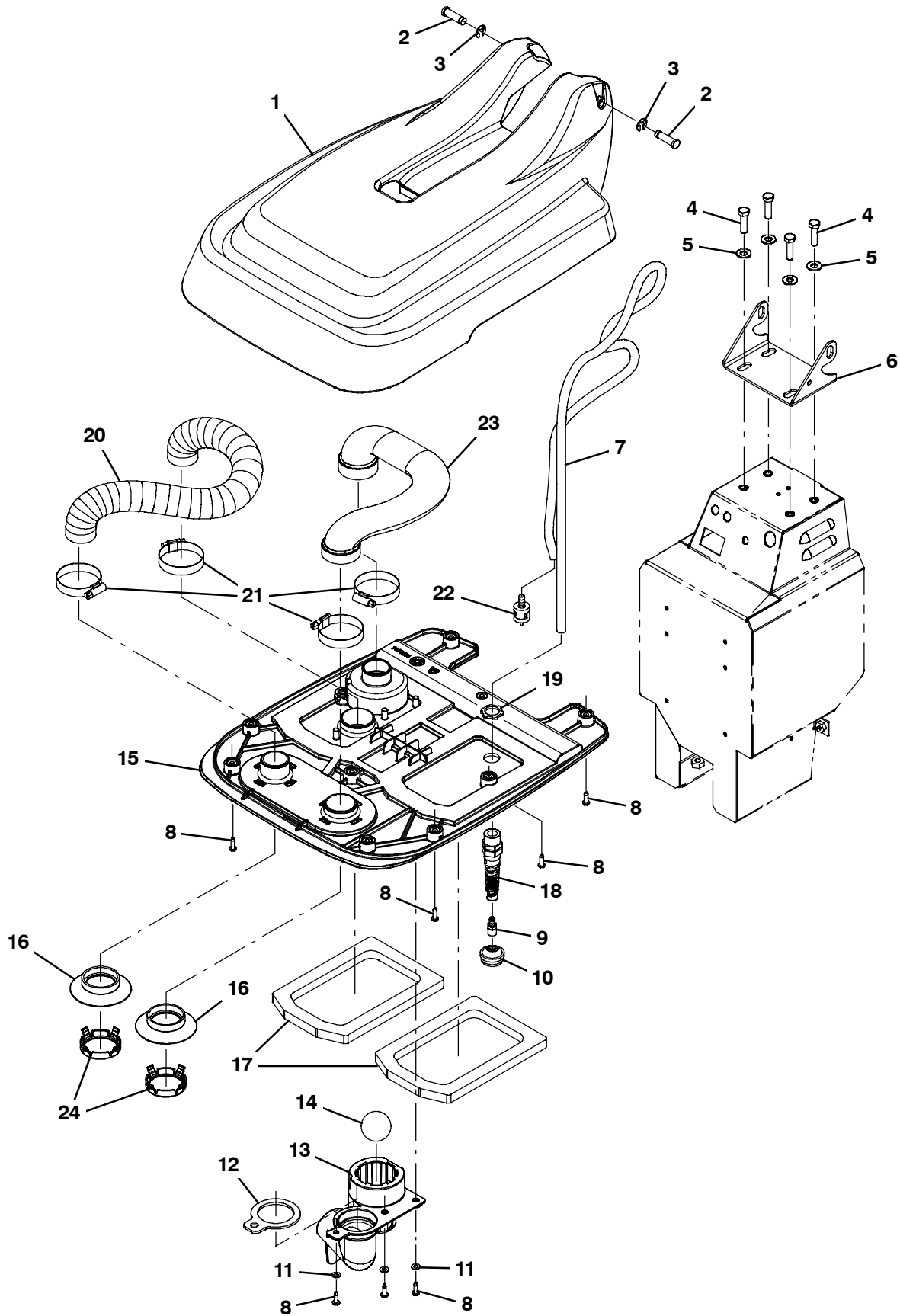
	Ref.	Part No.	Serial Number	Description	Qty.
▽	1	9008693	(00000000-	) Tank Kit, Recvy W/Labels [Ssb]	1
▲	2	1039498	(00000000-	) Label, Side [Speedscrub]	1
▲	3	1067554	(00000000-	) Label, Oprtn, Instr, Rh [T1b]	1
▲▽	4	9004285	(00000000-	) Handle Kit, Tank	1
▲▲	5	24265	(00000000-	) Screw, Pan, Phl, M4 X 0.70 X 16, Ss	2
▽	6	9008694	(00000000-	) Tank Kit, Soltn W/Labels [Ssb]	1
▲	7	1044865	(00000000-	) Label, Solution, Tank, Max. Fill, 3 Gal.	1
▲	8	1039498	(00000000-	) Label, Side [Speedscrub]	1
▲	9	1067553	(00000000-	) Label, Oprtn, Instr, Lh [T1b]	1
▲	10	1065771	(00000000-	) Label, Tank, Soltn	1
▲▽	11	9004285	(00000000-	) Handle Kit, Tank	1
▲▲	12	24265	(00000000-	) Screw, Pan, Phl, M4 X 0.70 X 16, Ss	2
	13	1066224	(00000000-	) Label, Lithium-Ion, Black [Speedscrub]	2

▽ ASSEMBLY

▲ INCLUDED IN ASSEMBLY

TANK COVER GROUP

355139

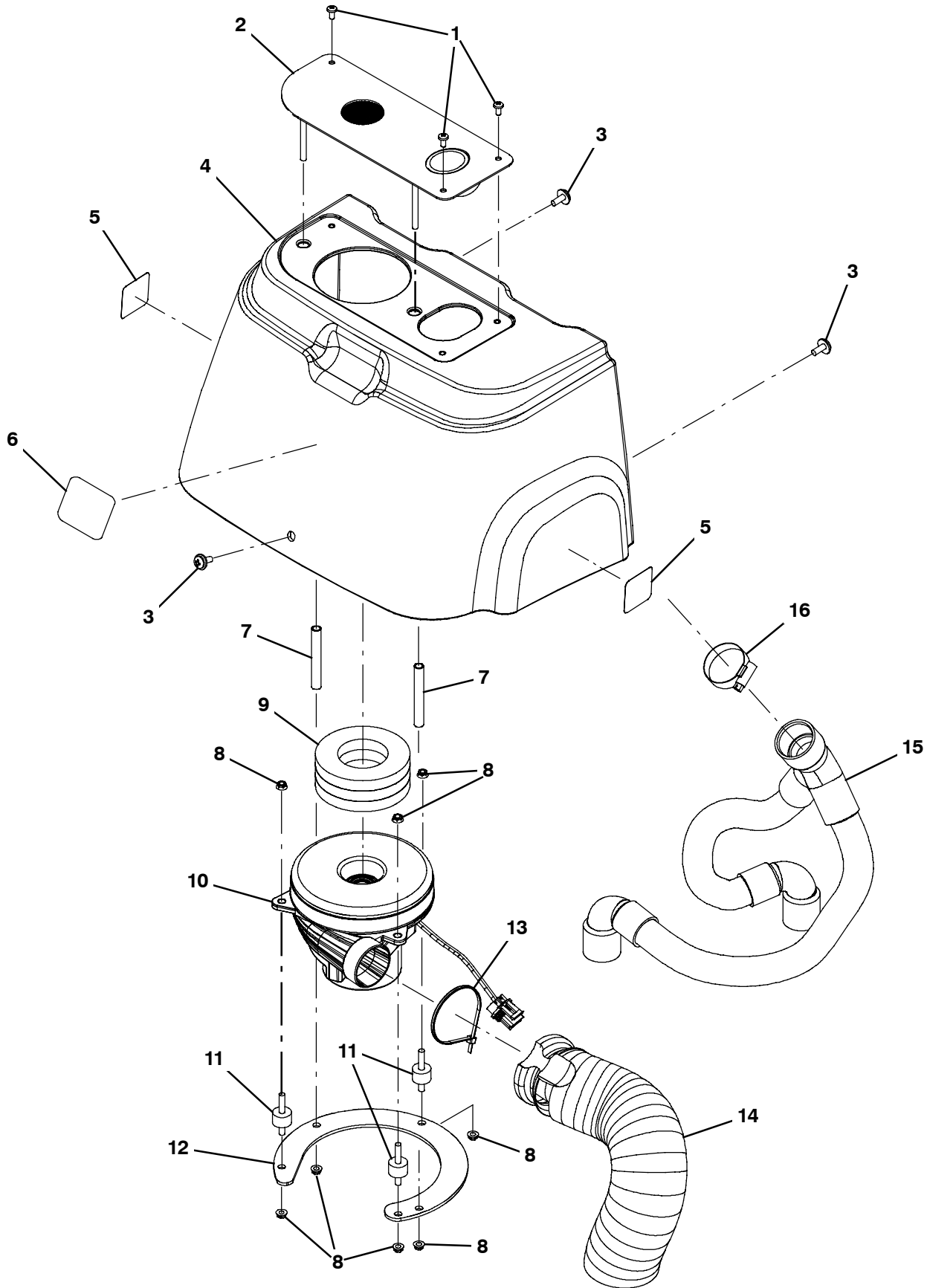


## TANK COVER GROUP

Ref.	Part No.	Serial Number	Description	Qty.
1	1037759	(00000000-	) Cover , Tanks, Upper, Nobles	1
2	1035358	(00000000-	) Pin, Grvd, 0.375d, 1.25l	2
3	24555	(00000000-	) Ring, Retaining, Ext, 0.38d, [E-Ring]	2
4	1016399	(00000000-	) Screw, Hex, M8 X 1.25 X 30, NI, Ss	4
5	140027	(00000000-	) Washer, Flat, 0.35b 0.75d .04, Ss	4
6	1034346	(00000000-	) Bracket, Pivot, Cover, Mtg	1
7	1036063	(00000000-	) Hose, Soltn, .25 Id, .453 Od, 56.0 L	1
8	140340	(00000000-	) Screw, Pan, Phl, 10-24 X 0.62, Ss[Typ25]	13
9	1042715	(00000000-	) Fitting, Brs, Str, Bm04/Pm02	1
10	1032556	(00000000-	) Filter, Soltn Tube, 80 Mesh	1
11	140011	(00000000-	) Washer, Flat, 0.21b 0.45d .03, Ss	3
12	1051274	(00000000-	) Gasket, Shield, Float	1
13	1042277	(00000000-	) Shield, Float	1
14	1044370	(00000000-	) Ball, Float, W/O Cage	1
15	1050434	(00000000-	) Cover, Tank, Inner, Black	1
16	1036090	(00000000-	) Seal, Vacuum [Trex]	2
17	1052876	(00000000-	) Gasket, Tank	2
18	602849	(00000000-	) Strainrelief, Cord, Ele, Pm08, Blk Nyl	1
19	140504	(00000000-	) Nut, Lock, Conduit, Pm08	1
20	1037756	(00000000-	) Hose, Vacuum, 1.5od, 18.0l [Wire-Reinf]	1
21	140308	(00000000-	) Clamp, Hose, Wormdrive, 1.31-2.25d, .50w	4
22	1059000	(00000000-	) Valve, Check, 0001psi Bm02/Bm04	1
23	1035866	(00000000-	) Hose, Recvy, Formed [Trex]	1
24	1054345	(00000000-	) Clip, Retaining, Seal	2

VACUUM FAN GROUP

355141





## VACUUM FAN GROUP

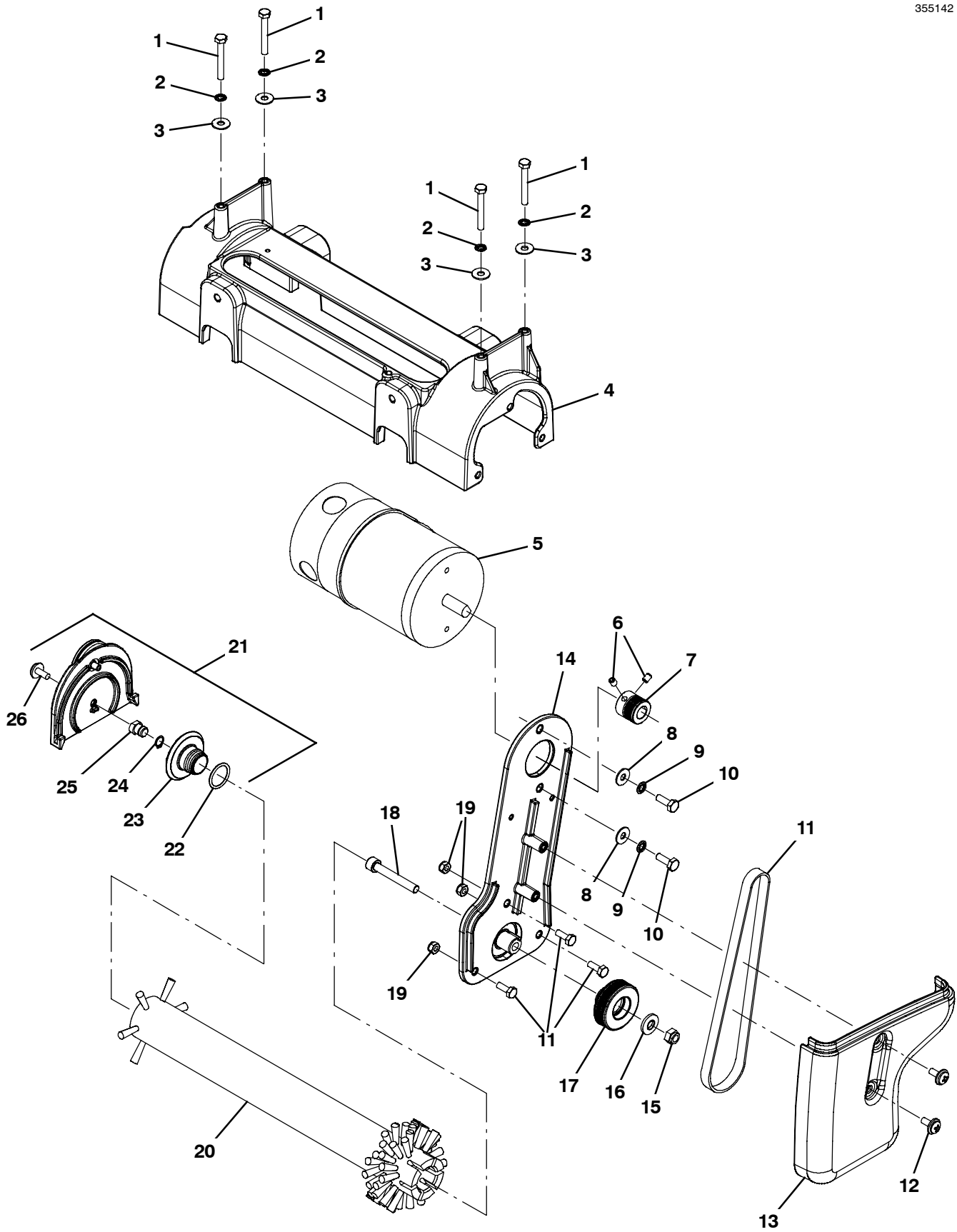
Ref.	Part No.	Serial Number	Description	Qty.	
1	1026454	(00000000-	) Screw, Pan, Phl, M5 X 0.80 X 10, Ss	3	
2	1048251	(00000000-	) Wldt, Plate, Mtg, Vacuum	1	
3	1019349	(00000000-	) Screw, Trs, M6 X 1.00 X 16, Ss, Sems	3	
▽	4	9004302	(00000000-	) Shroud Kit, W/ Labels [Nobles 3 Gal]	1
▲	5	578769	(00000000-	) Label, Parts, Moving [Textless]	2
▲	6	1034636	(00000000-	) Label, Front, 3.00 [Nobles Icon]	1
7	1050480	(00000000-	) Spacer, 9.52od X 7.14id X 72.3l Ss	2	
8	1040381	(00000000-	) Nut, Hex, Flng, M6 X 1.0, Ss [Serrated]	8	
9	1053269	(00000000-	) Gasket, 38.1mm Th, 50.8mmid 95.25mmod	1	
10	1048362	(00000000-	) Fan, Vacuum, Domel	1	
11	1011093	(00000000-	) Isolator, Vib, .75d, M6 Stud Both Ends	3	
12	1057236	(00000000-	) Bracket, Mtg, Vacuum	1	
13	130773	(00000000-	) Tie, Cable, Nyl, 11.0l, .14w, 3.0 Max. D	1	
14	390677	(00000000-	) Muffler, Exhaust, Vacfan, Long	1	
15	1067430	(00000000-	) Hose Assy, Vacuum, Wye	1	
16	11531	(00000000-	) Clamp, Hose, Wormdrive, 1.06-2.00d, .56w	1	

▽ ASSEMBLY

▲ INCLUDED IN ASSEMBLY

SCRUB HEAD GROUP

355142



## SCRUB HEAD GROUP

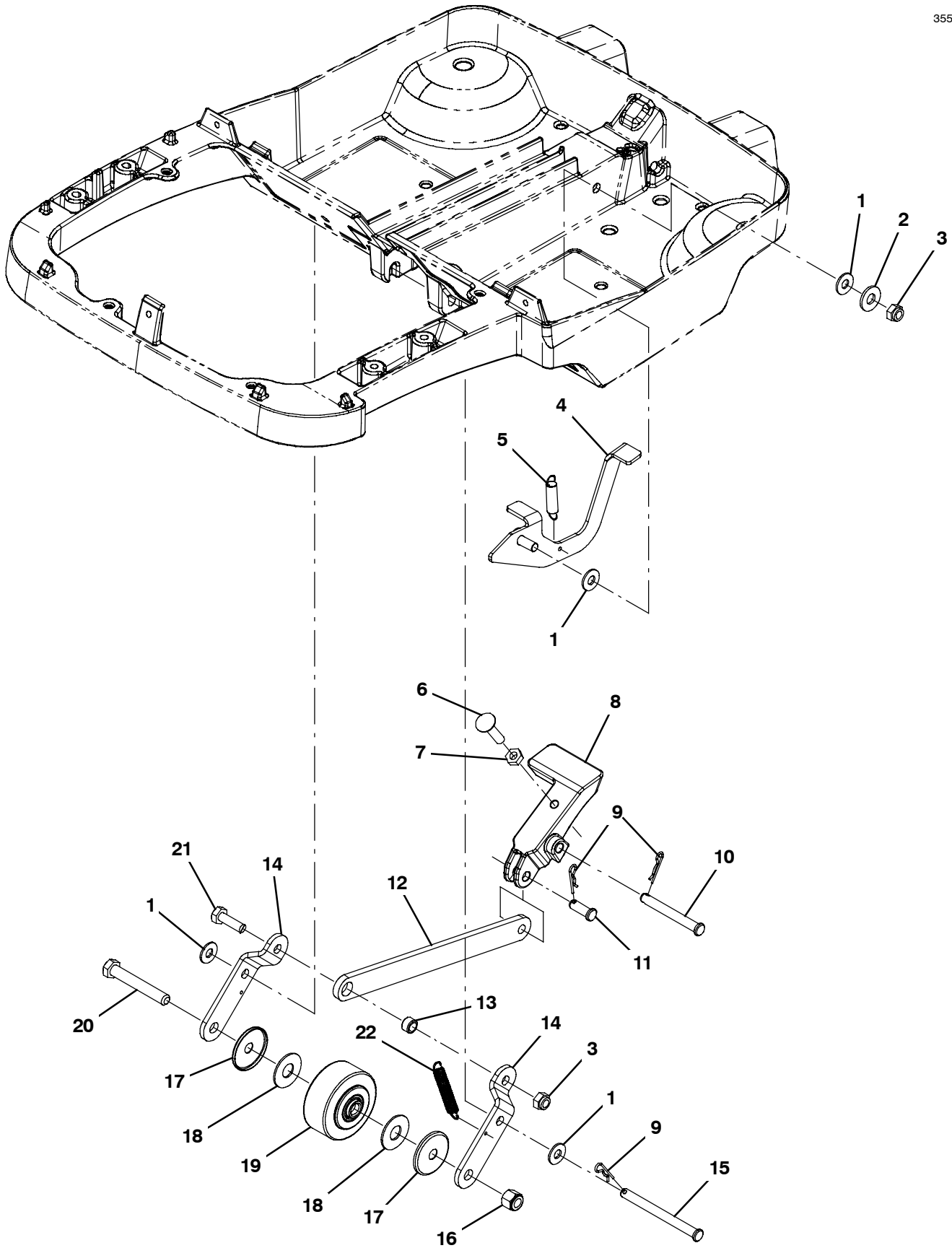
Ref.	Part No.	Serial Number	Description	Qty.	
1	1045325	(00000000-	) Screw, Hex, M6 X 1.00 X 45, Ss	4	
2	07515	(00000000-	) Washer, Lock, Int, 0.25, Ss	4	
3	01684	(00000000-	) Washer, Flat, 0.27b 0.69d .05, Ss	4	
4	1034380	(00000000-	) Housing, Brush, Sngl, 40cm	1	
5	1048393	(00000000-	) Motor, 12vdc, 3.98 Dia. X 6.5 L	1	
6	09162	(00000000-	) Screw, Set, Soc, M6 X 1.00 X 8, NI	2	
7	1063530	(00000000-	) Sheave, 07grv, 25.8pd [Ph]	1	
8	01684	(00000000-	) Washer, Flat, 0.27b 0.69d .05, Ss	2	
9	07515	(00000000-	) Washer, Lock, Int, 0.25, Ss	2	
10	15678	(00000000-	) Screw, Hex, .25-20 X 0.75, NI	5	
11	9004283	(00000000-	) Belt Kit, W/ Installation Tool	1	
12	1019349	(00000000-	) Screw, Trs, M6 X 1.00 X 16, Ss, Sems	2	
13	1064397	(00000000-	) Cover, Belt, Spg (Single Roller)	1	
▽	14	9008296	(00000000-	) Bracket Kit, Motor Mount	1
▲	15	08713	(00000000-	) Nut, Hex, Lock, M8 X 1.25, NI, Ss	1
▲	16	41186	(00000000-	) Washer, Flat, Belleville, .31	1
▲	17	1030625	(00000000-	) Sheave, 07grv, 49.3pd	1
▲	18	578416	(00000000-	) Key, Sq, 0.13 X 0.13, 0.50l	1
▲	19	1057476	(00000000-	) Screw, Soc, M8 X 1.25 X 55, Ss	1
▲	20	1057482	(00000000-	) Washer, Flat, 0.328b 0.571d 0.063, Ss	1
▲	21	1057476	(00000000-	) Screw, Soc, M8 X 1.25 X 55, Ss	1
	22	08712	(00000000-	) Nut, Hex, Lock, M6 X 1.00, NI, Ss	3
	23	1037197	(00000000-	) Brush, Scrub, 89mm Od X 386mm, Nylon (Standard)	1
	23	1037277	(00000000-	) Brush, Scrub, 89mm Od X 386mm, Poly (Optional)	1
	23	1037278	(00000000-	) Brush, Scrub, 89mm Od X 386mm, Grit (Optional)	1
▽	24	9007962	(00000000-	) Door Kit, Brush, W/ Hdwr	1
▲	25	1042312	(00000000-	) Seal, Org, .070 X .875 Id, 020	1
▲	26	1030680	(00000000-	) Hub, Idler, Brush	1
▲	27	01543	(00000000-	) Ring, Retaining, Ext, 0.39d, Basic	1
▲	28	1030682	(00000000-	) Shaft, Idler Plug	1
▲	29	1019349	(00000000-	) Screw, Trs, M6 X 1.00 X 16, Ss, Sems	1

▽ ASSEMBLY

▲ INCLUDED IN ASSEMBLY

SCRUB HEAD LIFT GROUP

355106

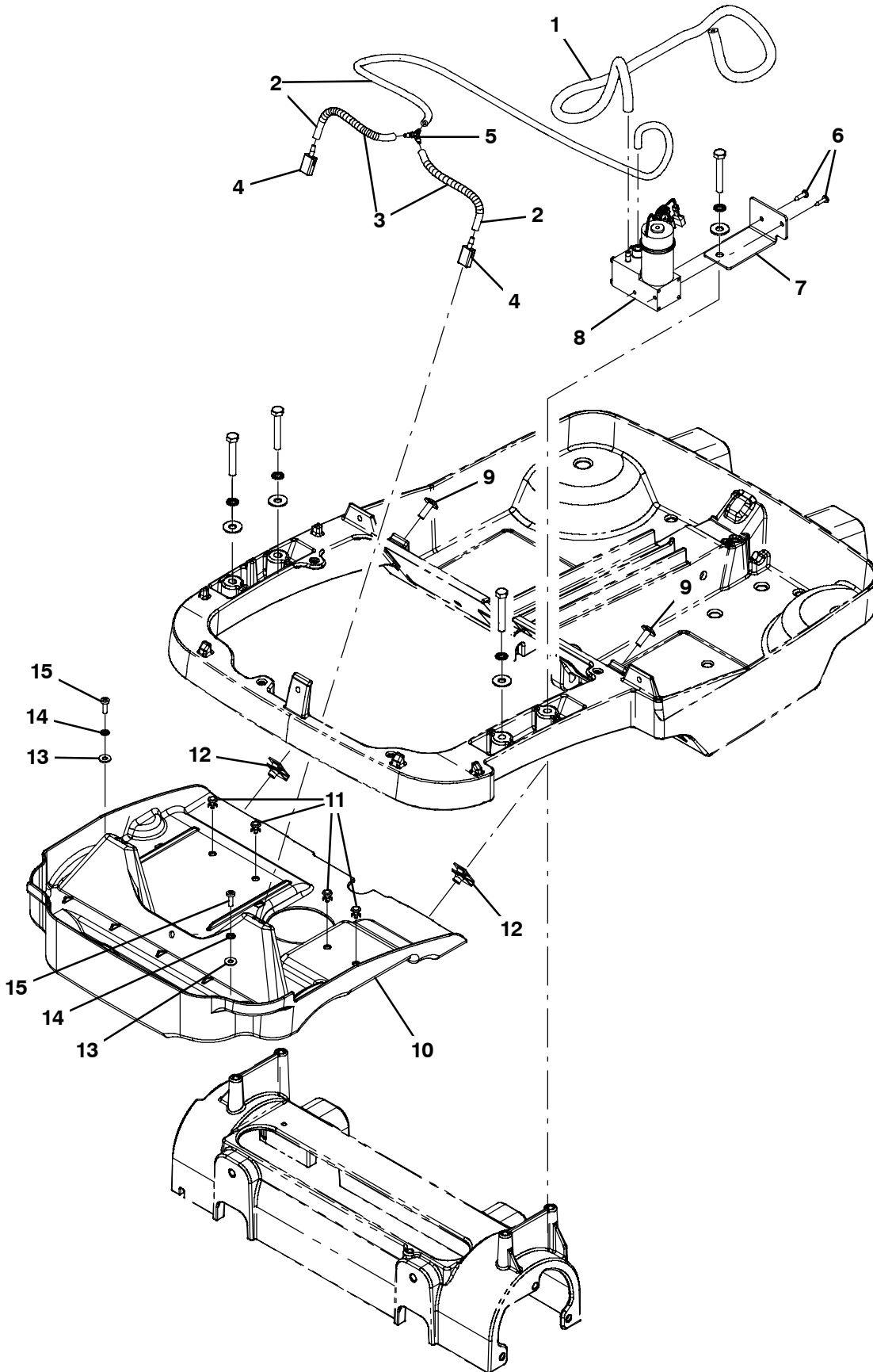


## SCRUB HEAD LIFT GROUP

Ref.	Part No.	Serial Number	Description	Qty.
1	630446	(00000000-	) Washer, Flat, 0.31b 0.75d .06, Nyl	3
2	01685	(00000000-	) Washer, Flat, 0.38b 0.88d .08, Ss	1
3	08713	(00000000-	) Nut, Hex, Lock, M8 X 1.25, NI, Ss	2
4	1034420	(00000000-	) Lever, Pedal, Wheel Release	1
5	605812	(00000000-	) Spring, Extn	1
6	1053751	(00000000-	) Bolt, Carriage, .31-18 X 1.25, Ss	1
7	140548	(00000000-	) Nut, Hex, Jam, Fin .31, Ss	1
8	1034376	(00000000-	) Pedal, Foot	1
9	08085	(00000000-	) Pin, Cotter, Hair, 0.31d .058 Wir	3
10	71274	(00000000-	) Pin, Clevis, 0.31d X 2.62l	1
11	386987	(00000000-	) Pin, Clevis, 0.31d X 0.88l	1
12	1034368	(00000000-	) Arm, Linkage, Transport	1
13	222516	(00000000-	) Sleeve, P/M, 0.32b 0.50d 0.3l [430ss]	1
14	1034371	(00000000-	) Bracket, Transport, Wheel	2
15	1034513	(00000000-	) Pin, Clevis, 0.31d X 3.50l	1
16	59156	(00000000-	) Nut, Hex, Lock, .38-16, NI, Ss	1
17	1034351	(00000000-	) Guard, Thread, Wheel	2
18	140045	(00000000-	) Washer, Flat, 0.51b 1.25d .06, Ss	2
19	1034355	(00000000-	) Wheel, 02.5d 1.25w 0.38b, Rbr, Gray	1
20	27992	(00000000-	) Screw, Hex, .38-16 X 2.50, G5	1
21	09010	(00000000-	) Screw, Hex, M8 X 1.25 X 25, Ss	1
22	140402	(00000000-	) Spring, Extn, 0.375od 0.045wir 01.8l, Mw	1

SOLUTION GROUP

355143

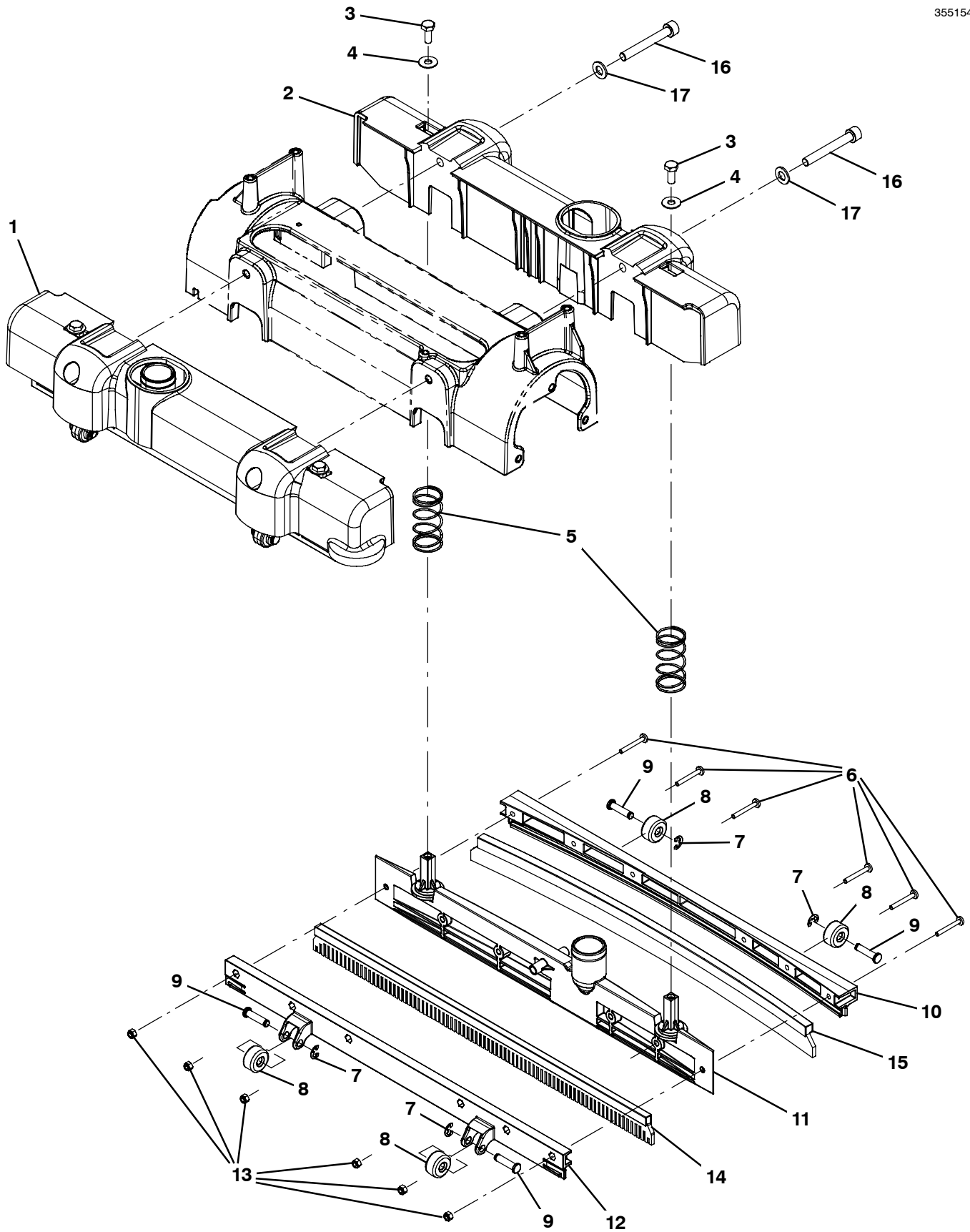


## SOLUTION GROUP

Ref.	Part No.	Serial Number	Description	Qty.
1	9006630	(00000000-	) Tube, 3.175 Id 9.0 Od 1120mm L	1
2	9006631	(00000000-	) Tube, 1/8" Id, 780mm L	1
3	160123	(00000000-	) Sleeve, Heatshrink, .025, Bulk	2
4	1049141	(00000000-	) Nozzle, Fluidic	2
5	1055763	(00000000-	) Fitting, Plstc, Y, Bm02/Bm02/Bm02	1
6	222267	(00000000-	) Screw, Pan, Phl, 06-20 X 0.50, Fmg/Ab	2
7	1048289	(00000000-	) Bracket, Mtg, Pump, Soltn	1
8	1048528	(00000000-	) Pump, Diaphragm, Liquid	1
9	140824	(00000000-	) Screw, Trs, .25-20 X 0.62, Phl, Ss	2
10	1067972	(00000000-	) Shrd, Splash, Nozzle	1
11	578852	(00000000-	) Rivet, Plstc, .200d X 0.20, Snap	4
12	82138	(00000000-	) Nut, Spd, Clip, .25-20 [.025-.150]	2
13	41579	(00000000-	) Washer, Flat, 08, Ss	2
14	02938	(00000000-	) Washer, Lock, Int, 08, Ss	2
15	579237	(00000000-	) Screw, Pan, Phl, M4 X 0.70 X 12, Ss	2

SQUEEGEE GROUP, FRONT AND REAR

355154





## SQUEEGEE GROUP, FRONT AND REAR

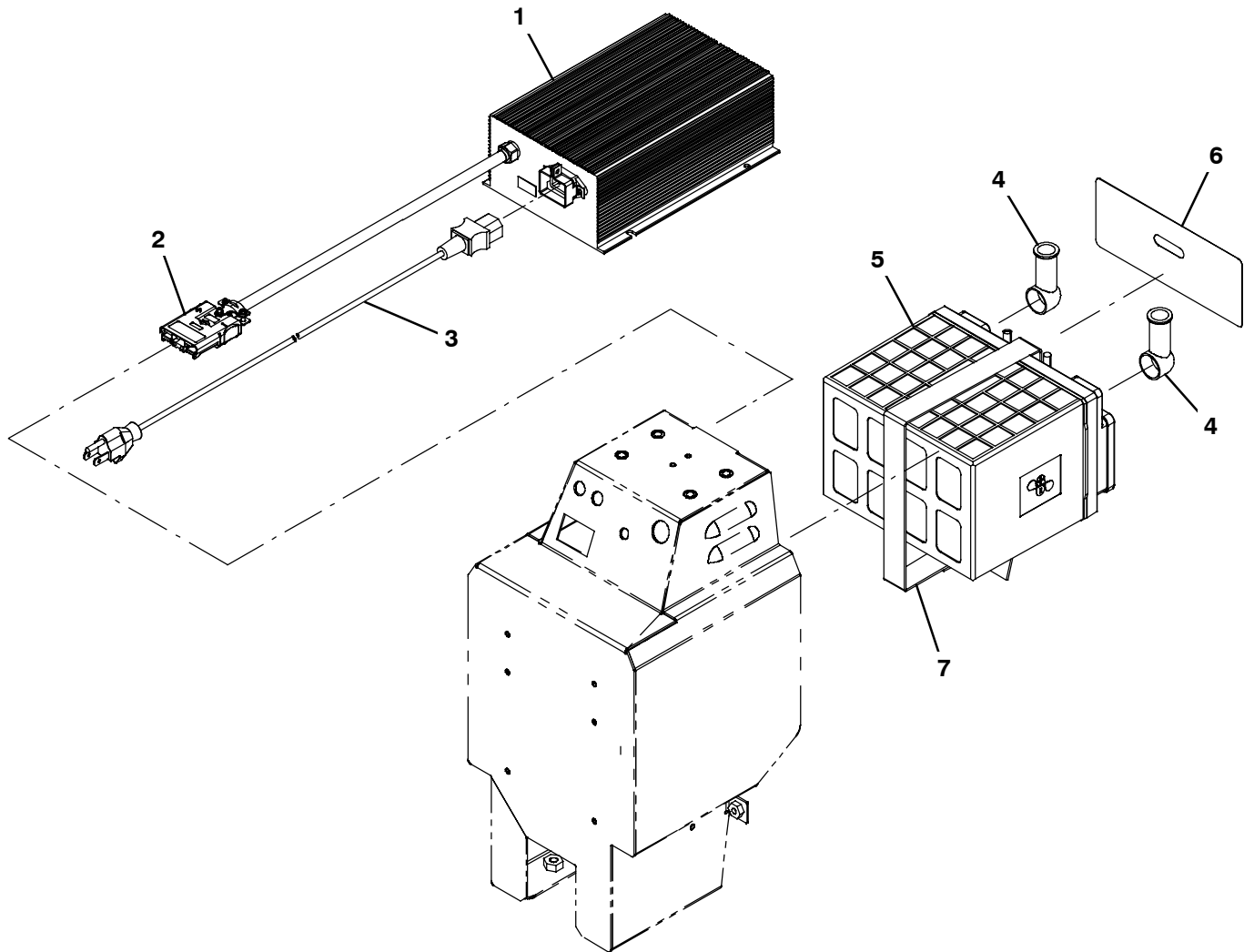
	Ref.	Part No.	Serial Number	Description	Qty.
9009239	▽	1	<del>9008623</del>	(00000000- ) Squeegee Assy [T1b]	2
	▲	2	1034109	(00000000- ) Housing, Squeegee	2
	▲	3	01697	(00000000- ) Screw, Hex, .25-20 X 0.62, Ss	4
	▲	4	01684	(00000000- ) Washer, Flat, 0.27b 0.69d .05, Ss	4
	▲	5	1030427	(00000000- ) Spring, Cmpr, 0.92id .05wir 02.0l	4
	▲	6	33931	(00000000- ) Screw, Pan, Phl, M4 X 0.70 X 30, Ss	12
	▲▽		9008581	(00000000- ) Wheel Kit, Sqge, W/ Hdwr	1
	▲▲	7	1035647	(00000000- ) Ring, Retaining, Ext, 0.25", [E-Ring]	8
	▲▲	8	1030852	(00000000- ) Roller, Squeegee	8
	▲▲	9	1065608	(00000000- ) Pin, Grv, 6.22d, 23.0l, Ss	8
	▲	10	1049957	(00000000- ) Retainer, Squeegee, Outer	2
	▲	11	1049358	(00000000- ) Frame, Sqge, 44cm [Newt]	2
	▲	12	1057243	(00000000- ) Retainer, Squeegee, Inner	2
	▲	13	33932	(00000000- ) Nut, Hex, Lock, M4 X 0.70, NI, Ss	12
		14	1049397	(00000000- ) Blade Assy, Sqge, Ure, Millable	2
		15	1064751	(00000000- ) Blade Assy, Sqge, Ure, Cast, 4.2thk	2
		16	09294	(00000000- ) Screw, Soc, M8 X 1.25 X 60, 12.9	4
		17	39349	(00000000- ) Washer, Flat, 0.31, Sae	4

▽ ASSEMBLY

▲ INCLUDED IN ASSEMBLY

BATTERY AND CHARGER GROUP (Li-ION)

355144



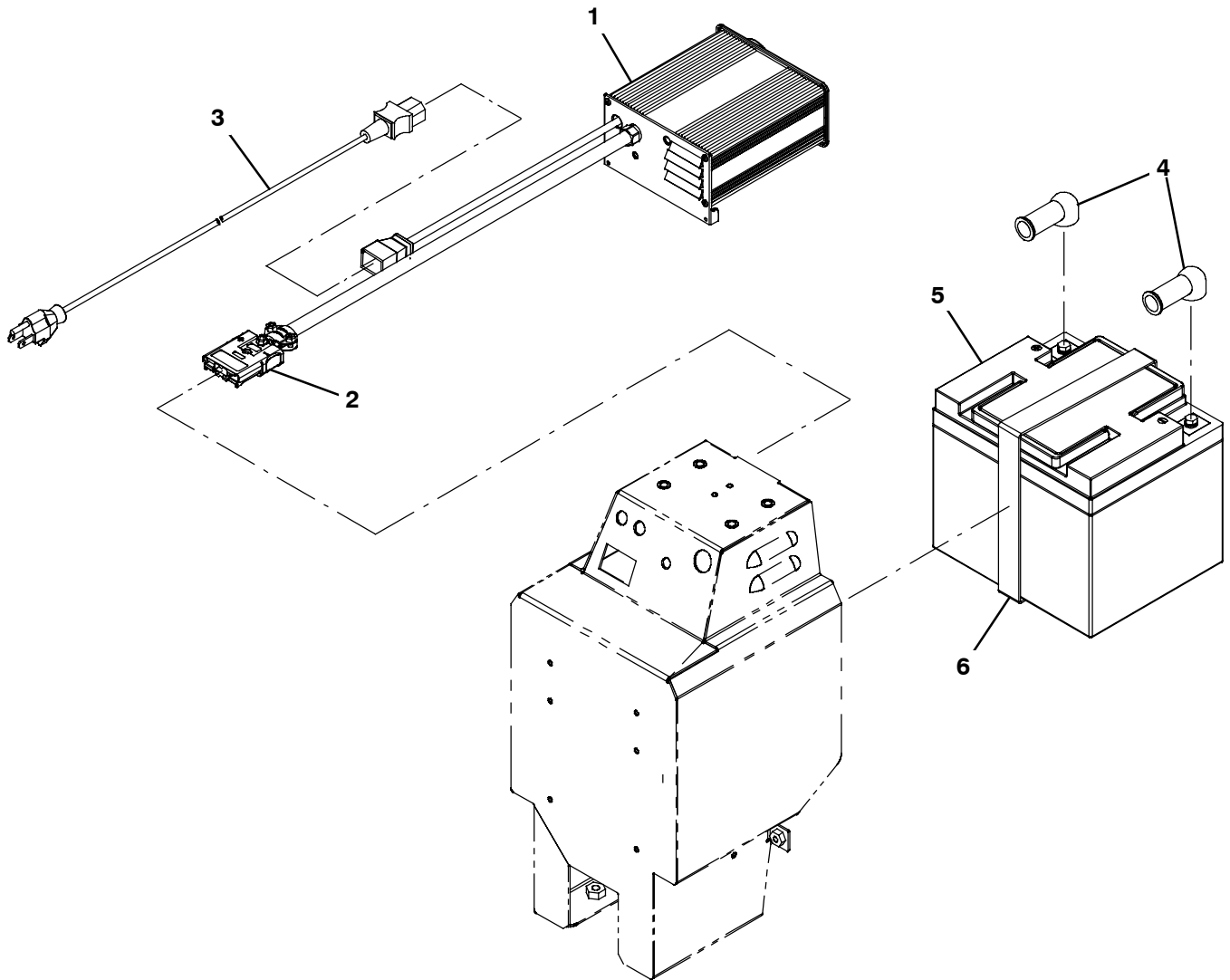
Ref.	Part No.	Serial Number	Description	Qty.	
1	1065754	(00000000-	) Charger, 12vdc, 16a, 120/240vdc [Li-Ion]	1	
2	1066279	(00000000-	) Plug Kit, Chrgr, T1b [Psbbs 75x]	1	
3	1044067	(00000000-	) Cord, Power, 16/3 Blk [2.5meter, Us/Jpn]	1	
3	1026325	(00000000-	) Cord, Power, 1.0mm2/3 Blk[2.5meter, Aus]	1	
3	1044068	(00000000-	) Cord, Power, Blk [2.5meter, Ce]	1	
3	1044069	(00000000-	) Cord, Power, Blk [2.5meter, Uk]	1	
4	611221	(00000000-	) Boot, Terminal, Battery, 25.4mm, Blk	2	
▽	5	9008690	(00000000-	) Battery Replmt Kit, [Li+]	1
▲	6	1067699	(00000000-	) Label, Battery, Li-Ion	1
	7	1065070	(00000000-	) Strap, Poly, Webbing 1.0 X 28.0	1
	N/S	1063936	(00000000-	) Harness, Jumper [Phantom Pi Lithium]	1

▽ ASSEMBLY

▲ INCLUDED IN ASSEMBLY

BATTERY AND CHARGER GROUP (AGM)

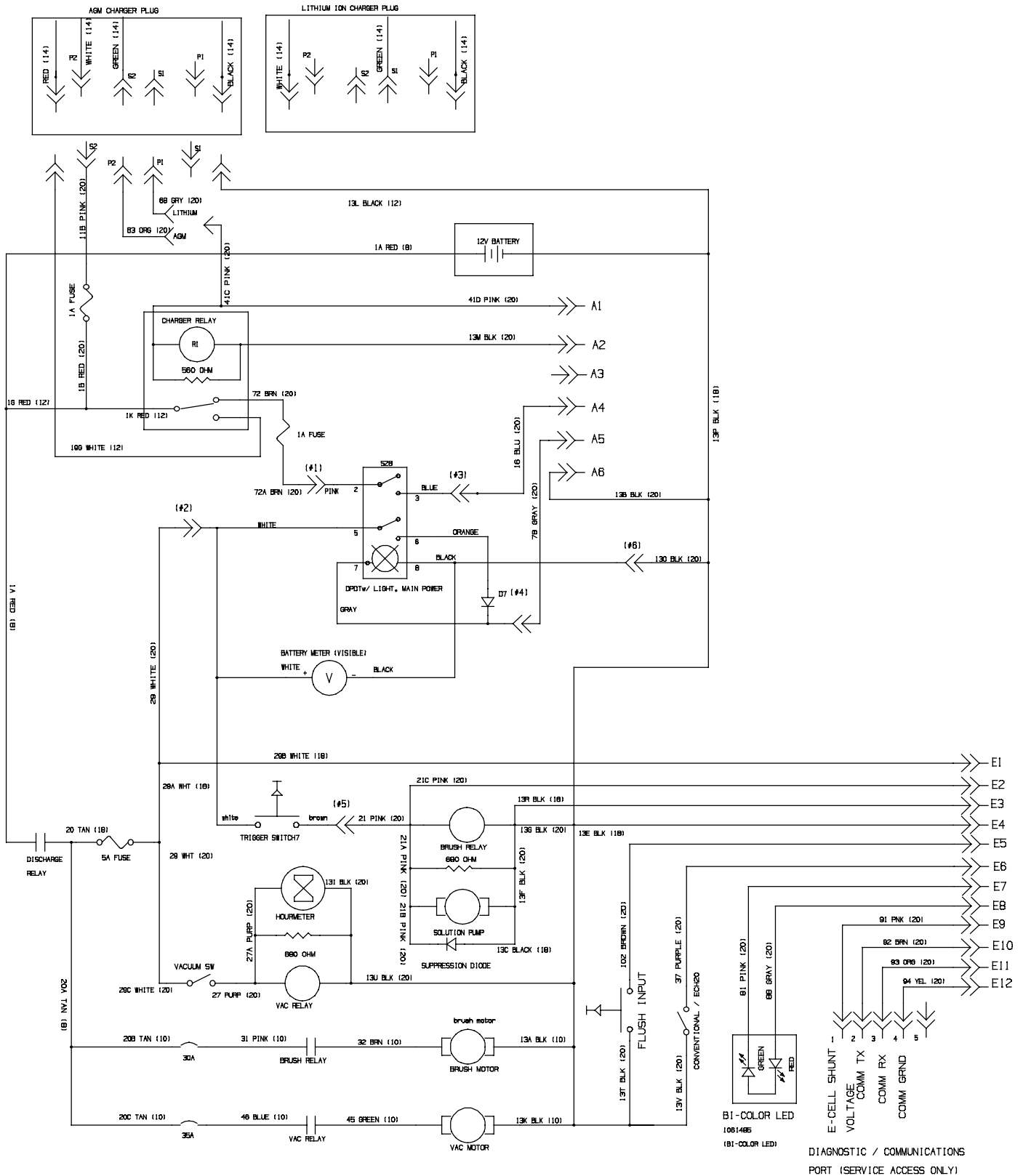
355145



Ref.	Part No.	Serial Number	Description	Qty.
1	1058586	(00000000-	) Charger, Battery, 12vdc [Spe]	1
2	1066279	(00000000-	) Plug Kit, Chrgr, T1b [Psbbs 75x]	1
3	1044067	(00000000-	) Cord, Power, 16/3 Blk [2.5meter, Us/Jpn]	1
3	1026325	(00000000-	) Cord, Power, 1.0mm2/3 Blk[2.5meter, Aus]	1
3	1044068	(00000000-	) Cord, Power, Blk [2.5meter, Ce]	1
3	1044069	(00000000-	) Cord, Power, Blk [2.5meter, UK]	1
4	611221	(00000000-	) Boot, Terminal, Battery, 25.4mm, Blk	2
5	1065086	(00000000-	) Battery, 12vdc 0050ah	1
6	1065070	(00000000-	) Strap, Poly, Webbing 1.0 X 28.0	1
N/S	1064899	(00000000-	) Harness, Jumper [Phantom Agm / Tppl]	1

ELECTRICAL DIAGRAM

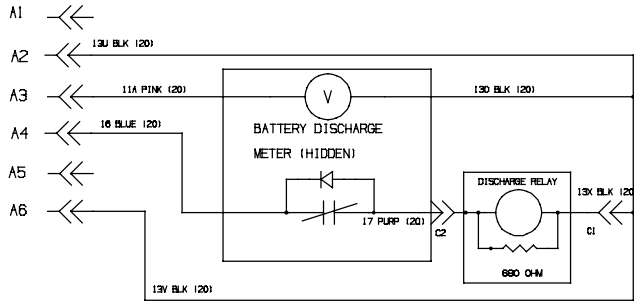
355150



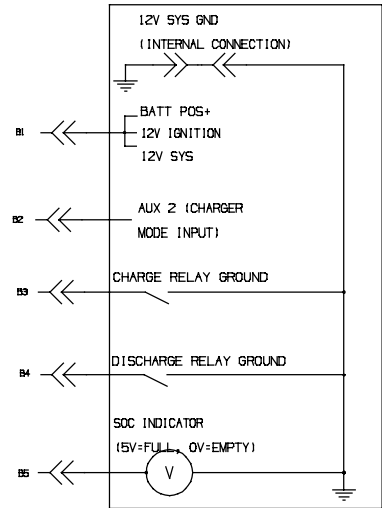
ELECTRICAL DIAGRAM - CONT'D

CORRESPONDS TO AGM BATTERY HARNESS

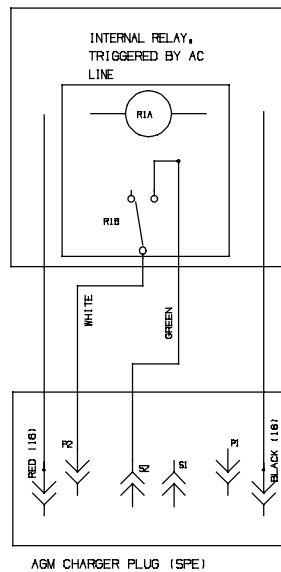
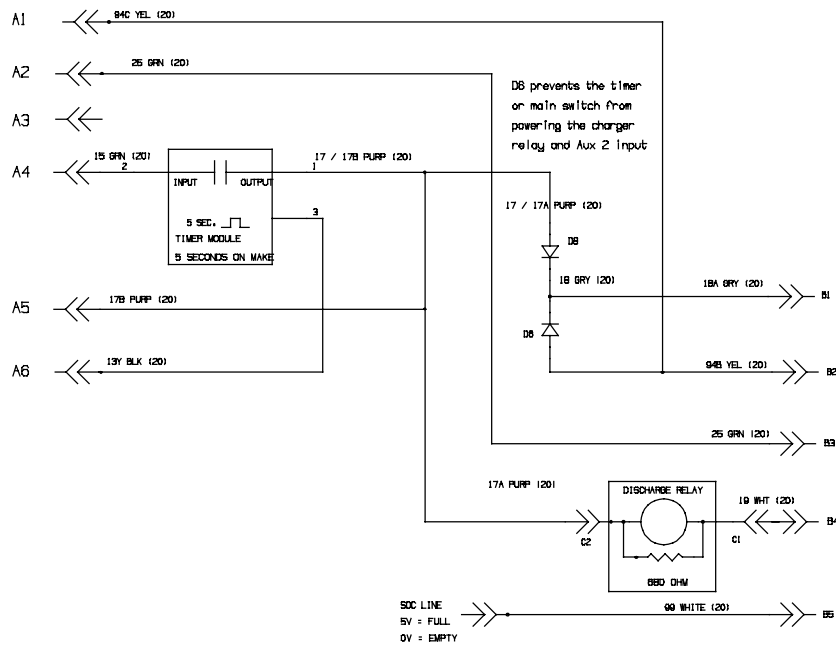
355151



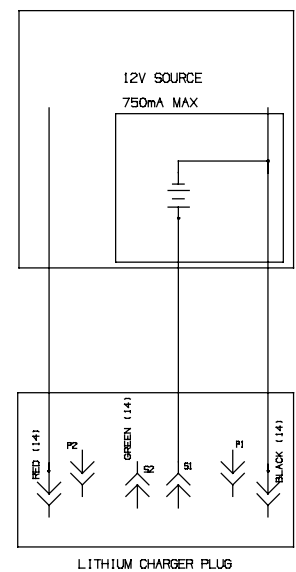
BMS CONTROLLER, (INTERNAL TO LITHIUM BATTERY)



CORRESPONDS TO LITHIUM BATTERY HARNESS



AGM CHARGER PLUG (SPE)

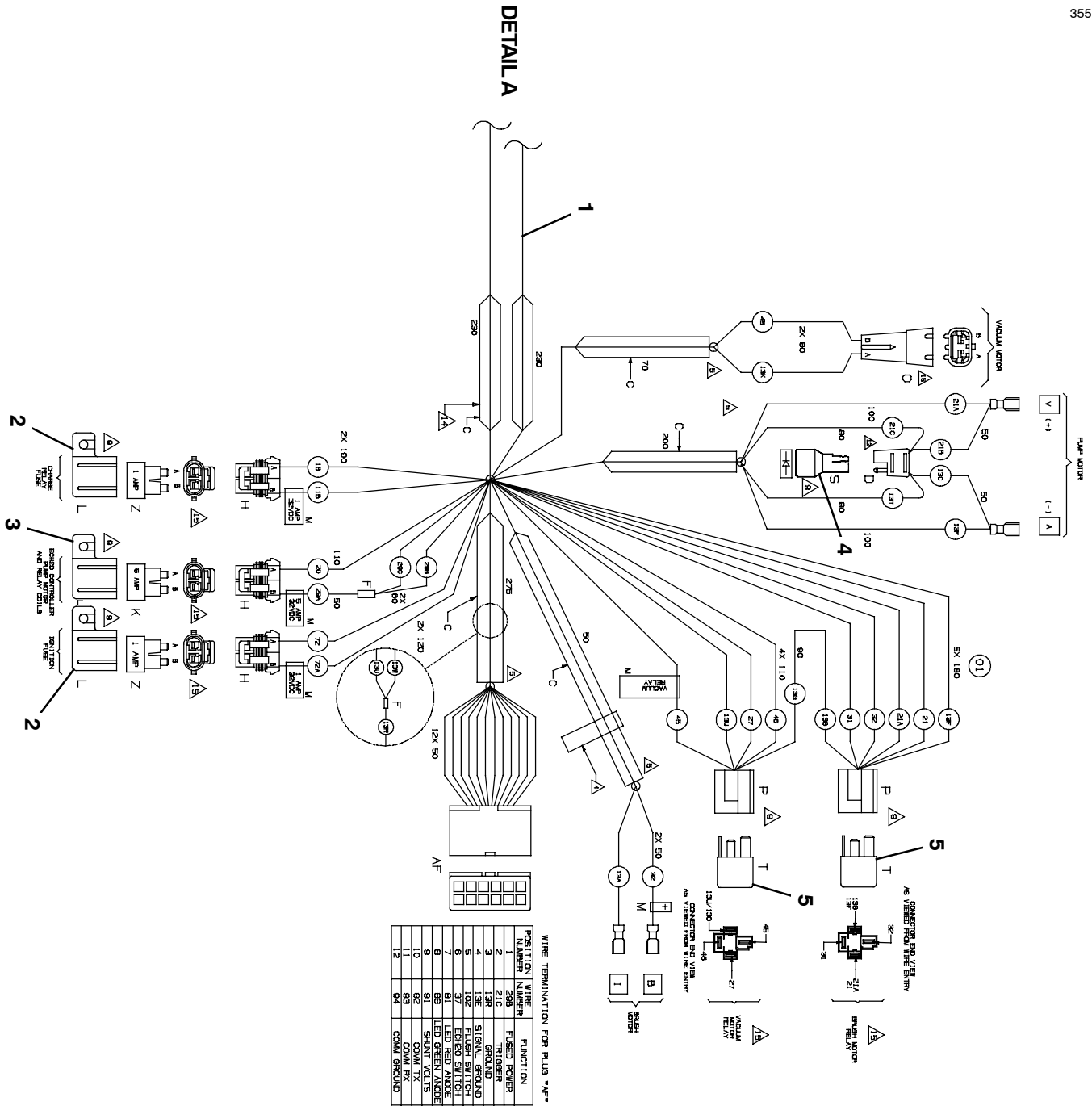


LITHIUM CHARGER PLUG



WIRE HARNESS, MAIN - CONT'D

355147

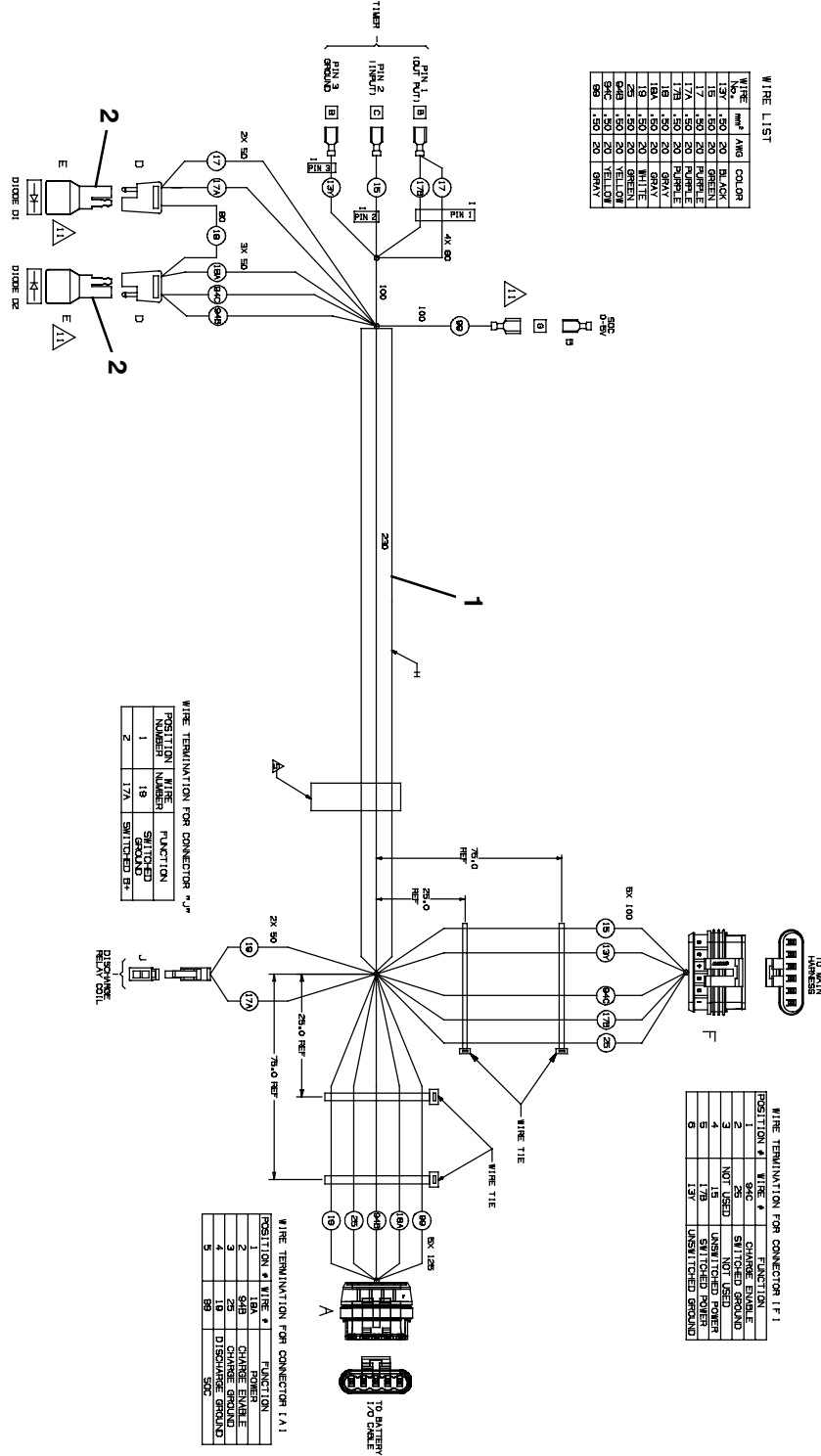


Ref.	Part No.	Serial Number	Description	Qty.
▽	1	1064897	(00000000- ) Harness, Chassis, 12 Volt [T1b]	1
▲	2	1052127	(00000000- ) Fuse, Blade, 001a, 32vdc	2
▲	3	1016029	(00000000- ) Fuse, Blade, 005a, 32vdc	1
▲	4	222290	(00000000- ) Diode, Ele, Plug	1
▲	5	1060940	(00000000- ) Contactor, 12vdc, 080a, Spst, No	3
▲	6	1066293	(00000000- ) Relay, 12vdc, 040a, Spdt	1

▽ ASSEMBLY  
 ▲ INCLUDED IN ASSEMBLY

WIRE HARNESS, JUMPER (Li-ION)

355148



Ref.	Part No.	Serial Number	Description	Qty.
▽	1	1063936	(00000000- ) Harness, Jumper [Phantom Pi Lithium]	1
▲	2	222290	(00000000- ) Diode, Ele, Plug	2

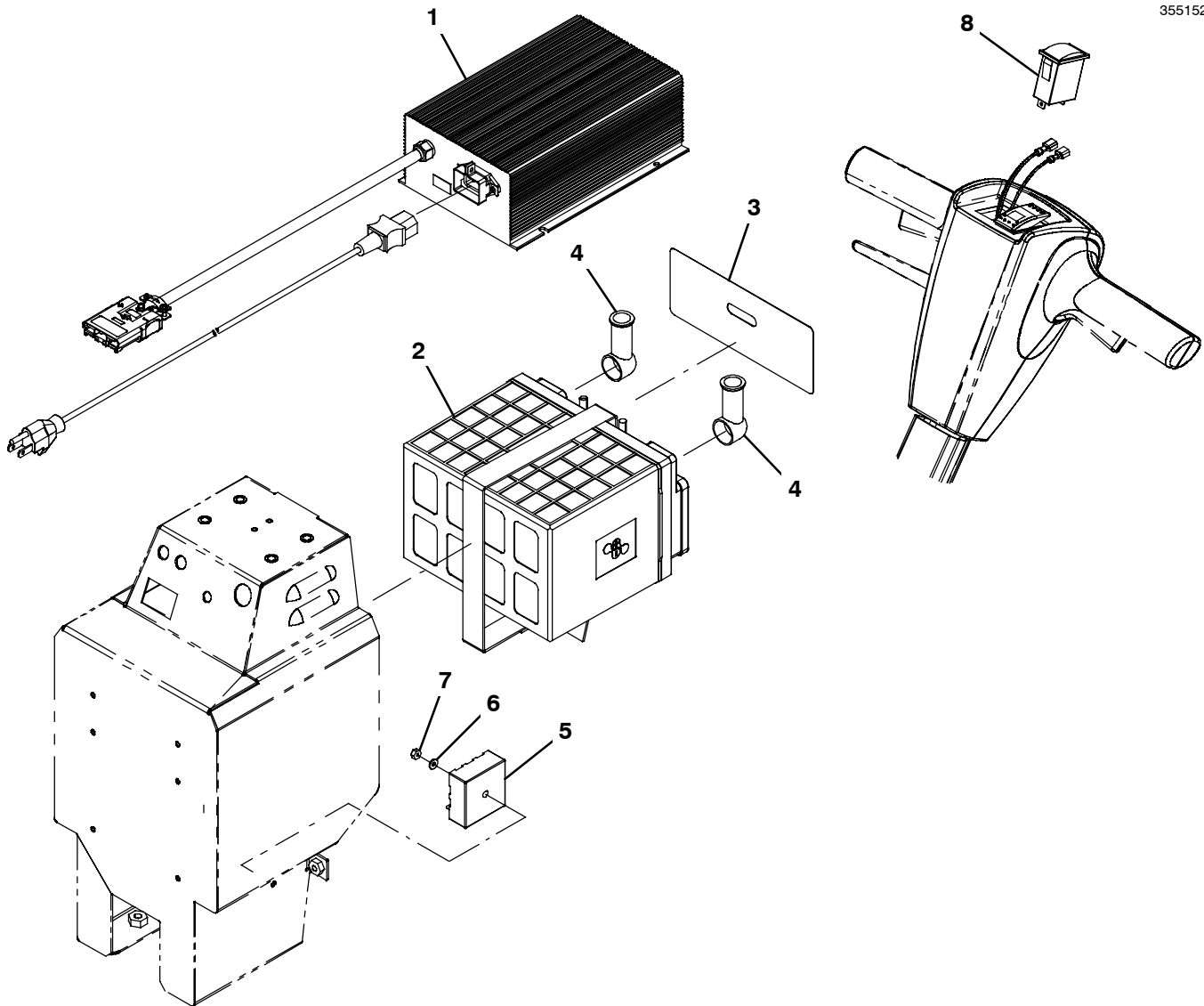
▽ ASSEMBLY  
 ▲ INCLUDED IN ASSEMBLY





BATTERY CONVERSION KIT (AGM TO LI-ION)

355152



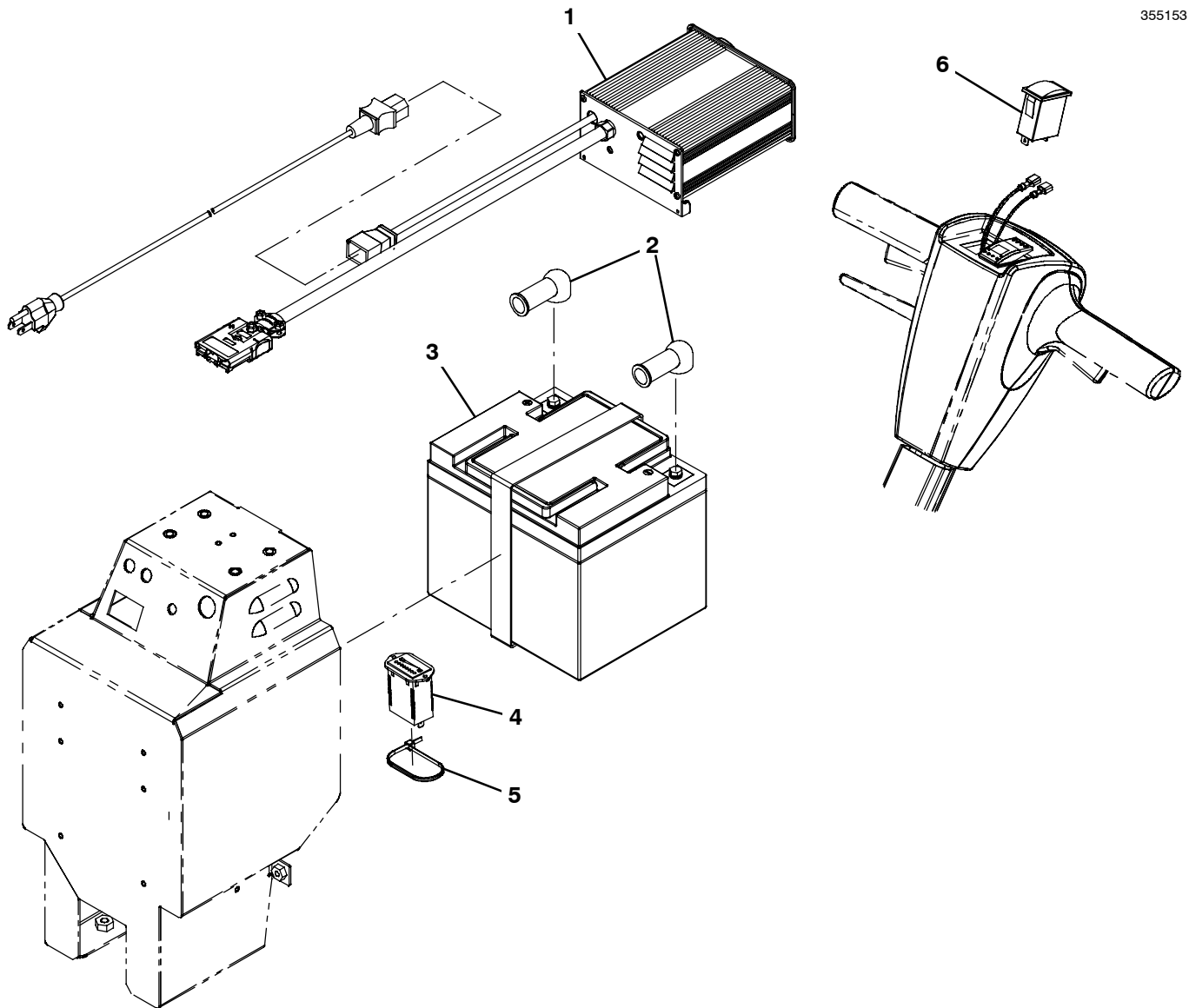
Ref.	Part No.	Serial Number	Description	Qty.
▽	9008689	(00000000-	) Battery Exchange Kit Wo Bat [Agm To Li+]	1
▲	1 1065754	(00000000-	) Charger, 12vdc, 16a, 120/240vdc [Li-Ion]	1
▲▽	2 9008690	(00000000-	) Battery Replmt Kit, [Li+]	1
▲▲	3 1067699	(00000000-	) Label, Battery, Li-Ion	2
▲	4 611221	(00000000-	) Boot, Terminal, Battery, 25.4mm, Blk	2
▲	5 1053209	(00000000-	) Module, Timer, 12v, 5s Interval	1
▲	6 41578	(00000000-	) Washer, Flat, 06, Ss	1
▲	7 75939	(00000000-	) Nut, Hex, Lock, #06-32, NI	1
▲	8 1048378	(00000000-	) Gauge, Voltmeter, 12vdc Nominal	1
▲	N/S 1063936	(00000000-	) Harness, Jumper [Phantom Pi Lithium]	1

▽ ASSEMBLY

▲ INCLUDED IN ASSEMBLY

**BATTERY CONVERSION KIT (Li-ION TO AGM)**

355153



Ref.	Part No.	Serial Number	Description	Qty.
▽	9008688	(00000000-	) Battery Exchange Kit [Li+ To Agm]	1
▲	1 1058586	(00000000-	) Charger, Battery, 12vdc [Spe]	1
▲	2 611221	(00000000-	) Boot, Terminal, Battery, 25.4mm, Blk	2
▲	3 1065086	(00000000-	) Battery, 12vdc 0050ah	1
▲	4 1064516	(00000000-	) Indicator, Battery, 12vdc, 1.73volt/Cell	1
▲	5 130773	(00000000-	) Tie, Cable, Nyl, 11.0l, .14w, 3.0 Max. D	1
▲	6 1065438	(00000000-	) Gauge, Voltmeter, 12vdc Nominal [Agm]	1
▲	N/S 1064899	(00000000-	) Harness, Jumper [Phantom Agm / Tppl]	1

▽ ASSEMBLY

▲ INCLUDED IN ASSEMBLY